



BIROTATIONAL POWER PACK



BIROTATIONAL POWER PACK

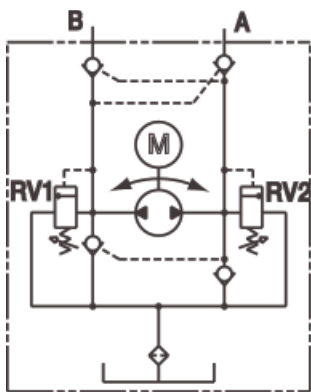
FEATURES / BENEFITS

- Reduces wiring, leak paths and eliminates directional valves resulting in lower overall system costs and number of parts
- More Reliable
- Smaller, compact
- Units are quiet
- Both AC & DC available with AC controllers and DC start switch cord sets and wireless remotes
- Various circuits

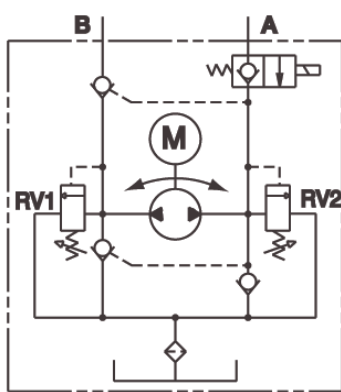
Typical applications are levelers and slideouts, tailgates, over center cabs, handicap lifts, dump trucks, pop-up tent trailers, boat storage, snowplows, lift/hold/lower or power up/gravity down for consolidation of product, special trailers, couplers and attachments.

For optimal performance, system must be bled of air during installation.

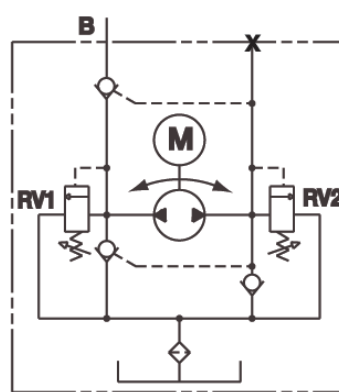
AVAILABLE CIRCUITS



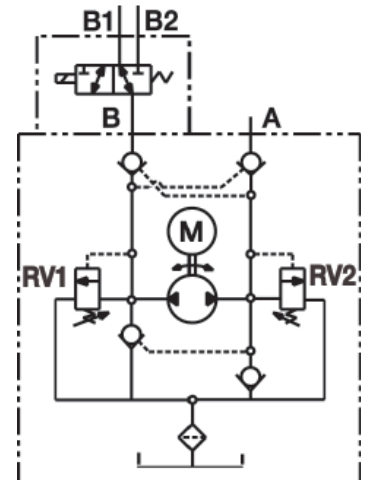
BDRDC



BDRSCV

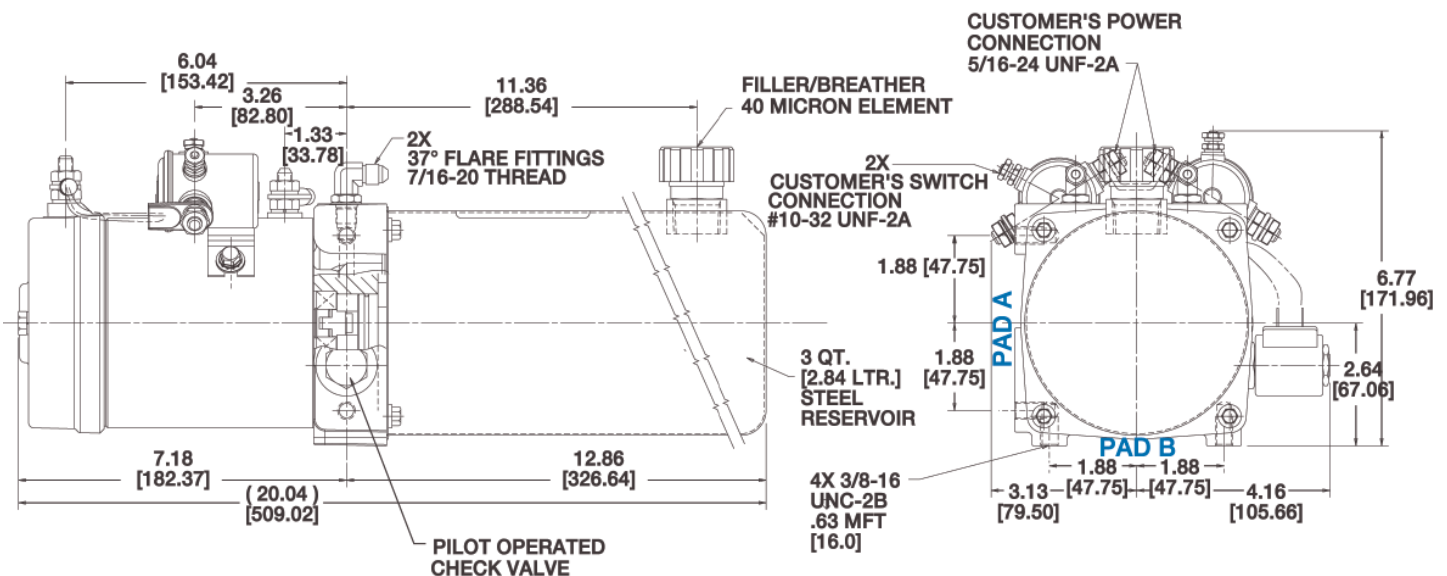


BDRSCP



BDRDC23

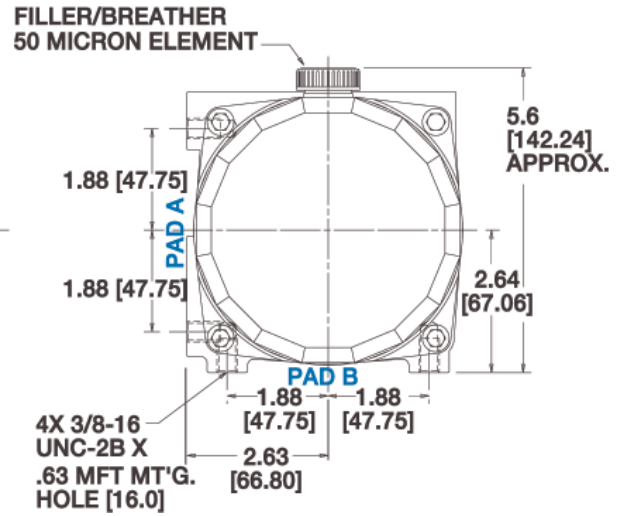
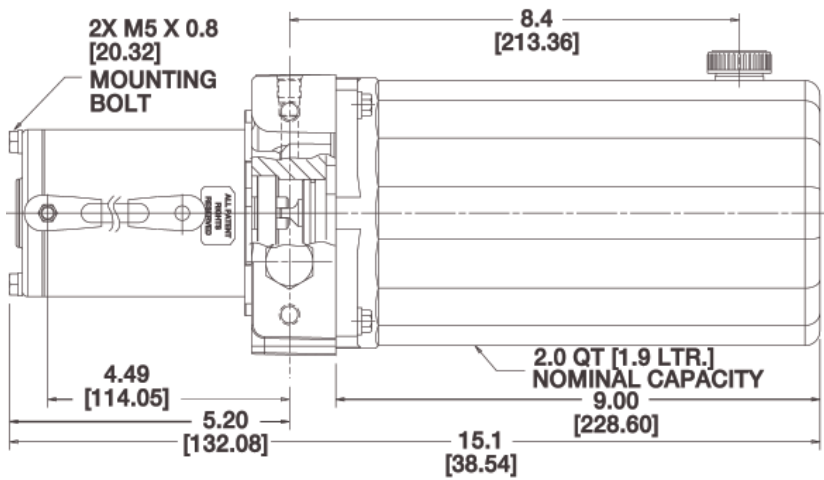
DIMENSIONS



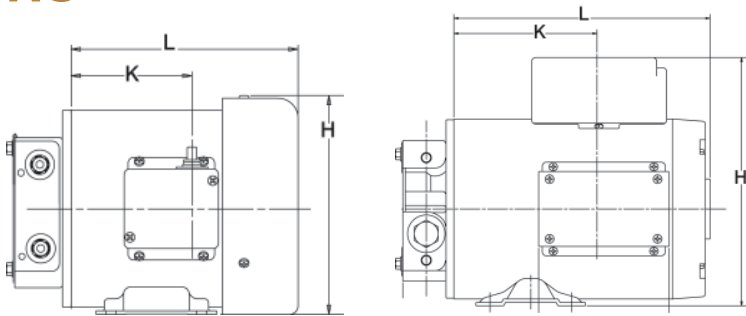
Pictures on front cover are used with the kind permission of eg: Atlet, BT, Huddig, Scania, Toro and Volvo Construction Equipment.

BIROTATIONAL POWER PACK

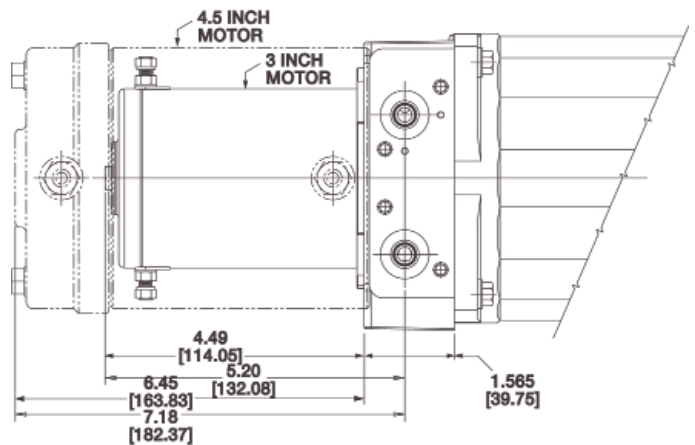
DIMENSIONS (cont.)



AC



DC



T.E.F.C.

T.E.N.V.

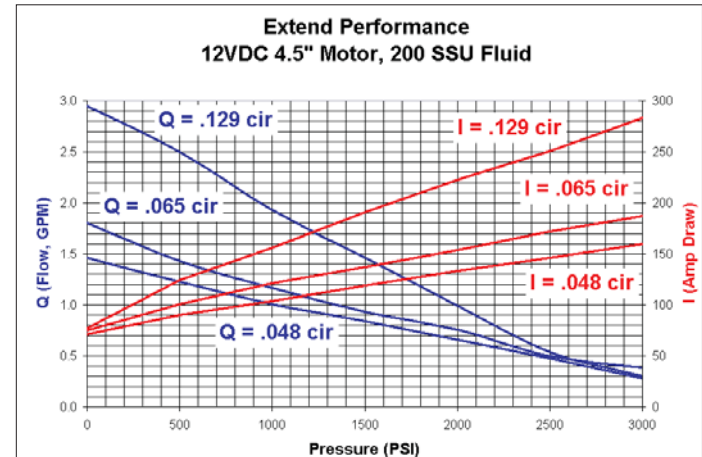
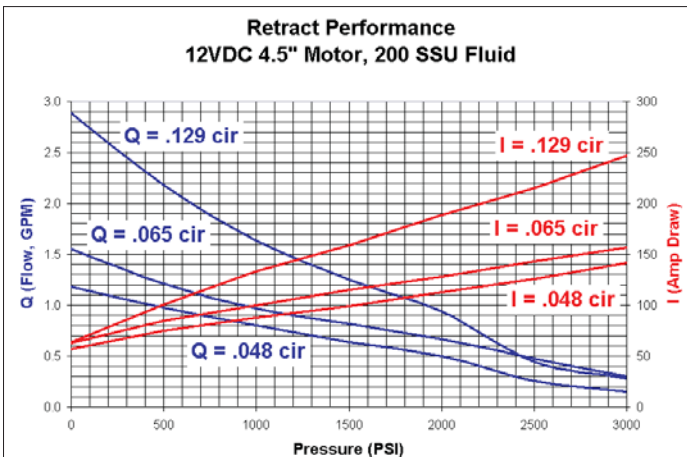
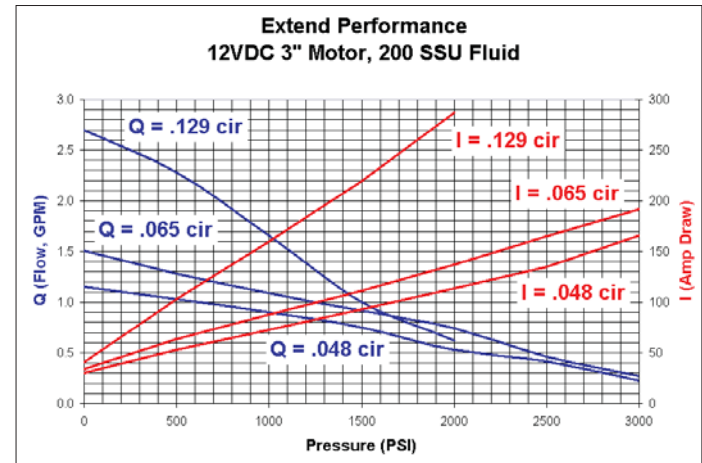
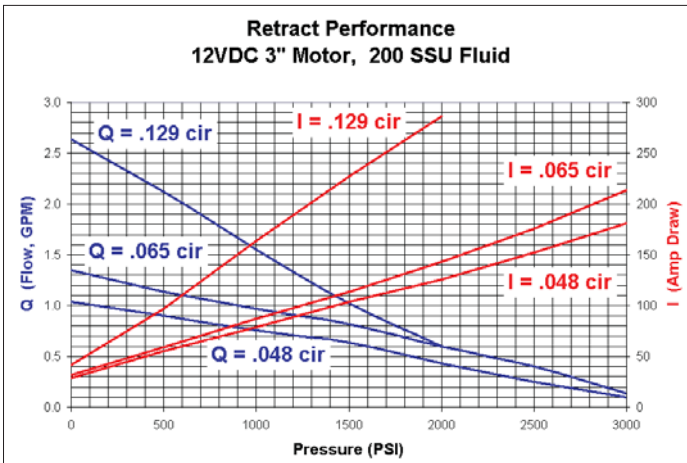
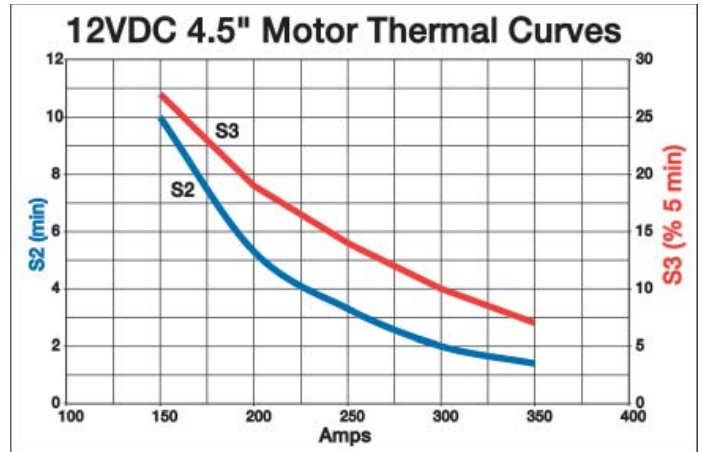
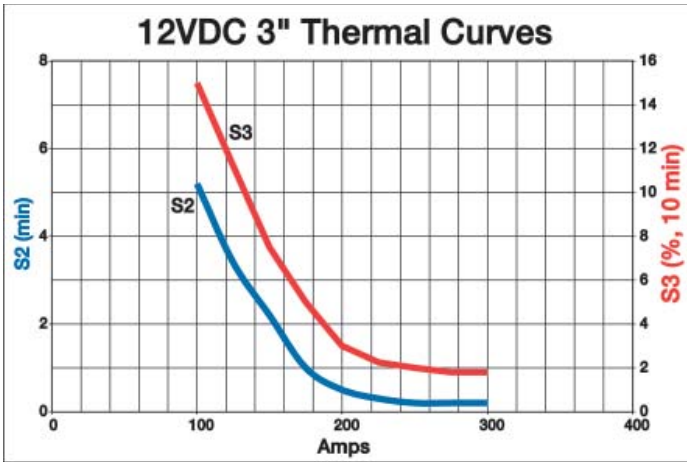
NOTE: See A.C. Motor Table (below) for letter dimensions L, H, and K.

A.C. MOTOR TABLE

Model Code	Catalog P/N	HP	Phase	HZ	Voltage	Encl.	RPM	60 Hertz Ratings								Dimensions			
								HP 5 mn. Rated	HP 15 min. Rated	HP 30 min. Rated	Line Voltage	Low Voltage	Max. cc/rev. Starting at 2500 PSI Low Voltage	Pullup Torque at Line Voltage Ft.-lbs.	Breakdown Torque at Line Voltage Ft.-lbs.	5 Min. Duty HP Nominal Amp Draw	L	H	K
62	1300918	1	3	50/60	208-230/460	TENV	2850/3450	2.5	1.8	1	230	188	1.6	6.4	6.7	8.4 A @ 230 V	5.8	6.8	4.0
63	1300919	1	3	50/60	208-230/460	TEFC*	2850/3450	2.5	1.8	1	230	188	1.6	6.4	6.7	8.4 A @ 230 V	7.5	7.3	4.0
64	1300920	1	1	60	115/208-230	TENV	3450	2.5	1.8	1	115	99	1.6	5.7	6.9	28.6 A @ 115 V	7.8	8.8	4.3
65	1300921	1	1	50/60	115/208-230	TEFC*	2850/3450	2.5	1.8	1	115	99	1.6	5.1	6.0	28.6 A @ 115 V	9.5	8.8	4.3
66	1300922	1	3	50/60	208-230/460	TENV	1425/1725	3	2	1	230	188	3.2	12.3	17.1	8.4 A @ 230 V	6.8	6.8	5.0
67	1300923	1	1	60	115/208-230	TENV	1725	2	1.5	1	115	99	3.2	9.1	10.8	8.5 A @ 230 V	9.3	9.0	5.8

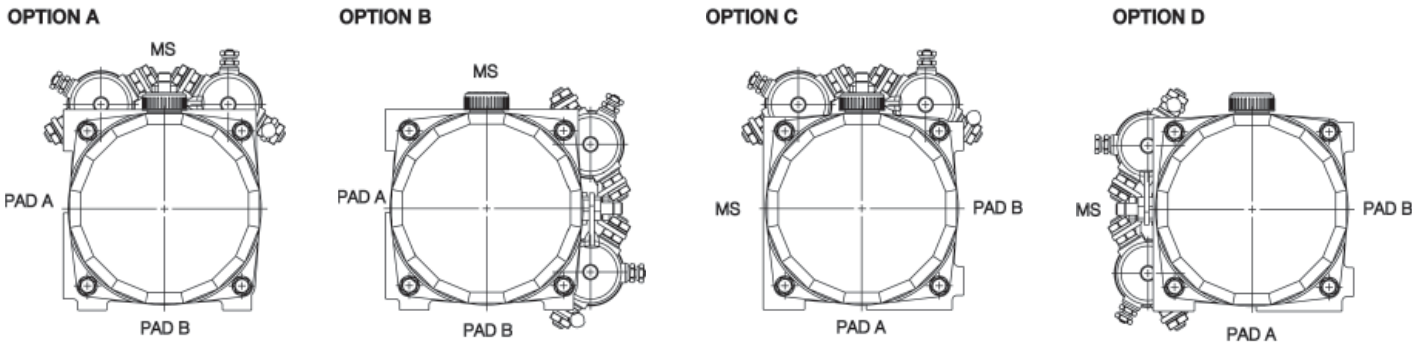
BIROTATIONAL POWER PACK

Performance Curves

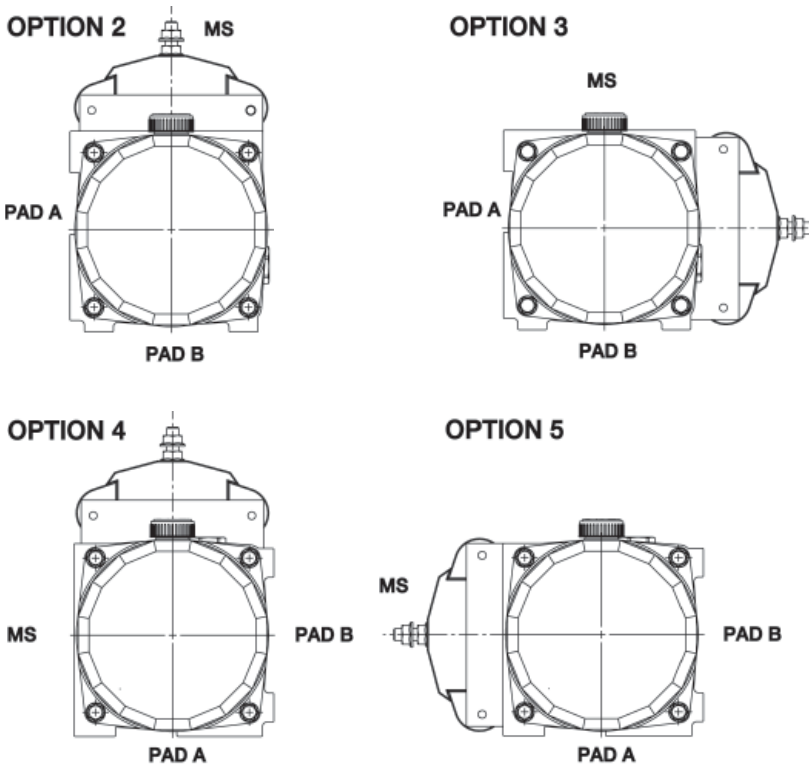


BIROTATIONAL POWER PACK

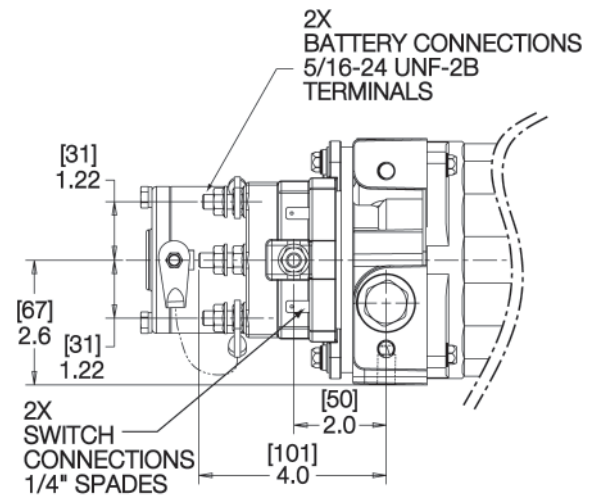
4.5" Motor - Terminal, Start Switch & Breather Locations



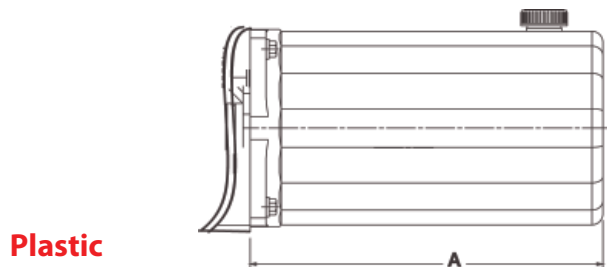
3" Motor - Start Switch & Breather Locations



NOTE: MS = Mounting Surface for Valve Manifold / Port Locations

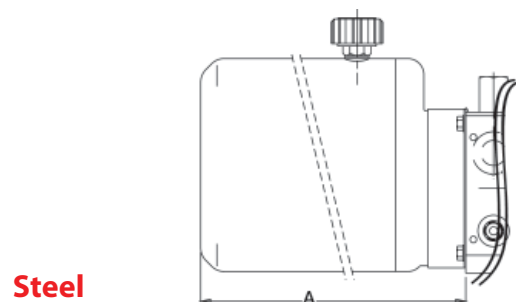


Reservoirs



Plastic

Capacity	Length "A"
2 QT (1.9 L)	9.0 IN. (229 MM)
3 QT (2.8 L)	12.0 IN. (305 MM)



Steel

Capacity	Length "A"
1.0 GAL (3.8 L)	8.3 IN. (212 MM)
1.5 GAL (5.7 L)	12.6 IN. (320 MM)
2.0 GAL (7.6 L)	15.3 IN. (390 MM)

BIROTATIONAL POWER PACK

ORDERING INFORMATION

Each option has been assigned an order code -- listed in the tables below -- for placement in the sequence shown to the right.

	1	2	3	4	5	6	7	8	9	10	11	12	13
	Adapter	Pump	Relief Valve 1	Relief Valve 2	Motor	Term./Breather Locations	Mounting	Start Switch	Solenoid Valve Voltage	Cord Sets	Controllers	Fittings	Reservoirs
Example	BDRDC23	04	080	080	2	A	1	1	1	A	1	1	A
Your Options													

1

Order Code	Adapter Options
BDRDC	2 Relief Valves, 2 Check Valves
BDRSCV	2 Relief Valves, 1 Check Valve, 1 Normally Closed 2-Position 2-Way Solenoid Release Valve
BDRSCP	2 Relief Valves, 1 Check Valve, 1 Check Valve Plug
BDRDC23	2 Relief Valves, 2 Check Valves, 1 Manifold w/2-Position 3-Way Solenoid Valve

2

Order Code	Pump Options
03	0.048 in.3/rev. - GC
04	0.065 in.3/rev. - GC
08	0.129 in.3/rev. - GC

3

Order Code	Relief Valve 1 Options (PSI) *
___0	Fill in 3 digits.

* Must be less than a 4:1 ratio for P.O. check valves to pilot open.

4

Order Code	Relief Valve 2 Options (PSI) *
___0	Fill in 3 digits.

* Must be less than a 4:1 ratio for P.O. check valves to pilot open.

5

Order Code	Motor Options
0	None
1	3" - 12 V 2 TERMINAL
2	4.5" - 12 V 2 TERMINAL
3 *	1 HP, 3 PH, 50/60 HZ, 208-230/460 VAC, TENV, 2850/3450 RPM
4 *	1 HP, 3 PH, 50/60 HZ, 208-230/460 VAC, TEFC, 2850/3450 RPM
5 *	1 HP, 1PH, 60 HZ, 115/208-230 VAC, TENV, 3450 RPM
6 *	1 HP, 1PH, 50/60 HZ, 115/208-230 VAC, TEFC, 2850/3450 RPM
7 *	1 HP, 3PH, 50/60 HZ, 208-230/460 VAC, TENV, 1425/1725 RPM
8 *	1 HP, 1 PH, 60 HZ, 115/208-230 VAC, TENV, 1725 RPM
9	AC FLANGE ADAPTER (NEMA C, 56 Frame)

* All AC motors are rated for 30 minute operation.

6

Order Code	4.5" Motor - TERMINAL, START SWITCH & BREATHER LOCATIONS (AS VIEWED FROM RESERVOIR END)
0	N/A
A	PAD B @ 6 O'CLOCK, TERMINALS @ 12, BREATHER @ 12
B	PAD B @ 6 O'CLOCK, TERMINALS @ 3, BREATHER @ 12
C	PAD A @ 6 O'CLOCK, TERMINALS @ 12, BREATHER @ 12
D	PAD A @ 6 O'CLOCK, TERMINALS @ 9, BREATHER @ 12

7

Order Code	Mounting Options
1	Horizontal
2	Vertical

8

Order Code	3" Motor - Start Switch & Breather Location (viewed from reservoir end)
0	N/A
1	4.5" - ALWAYS IN LINE WITH THE TERMINALS
2*	3" - PAD B @ 6 O'CLOCK, START SWITCH @ 12 O'CLOCK, BREATHER @ 12 O'CLOCK
3*	3" - PAD B @ 6 O'CLOCK, START SWITCH @ 3 O'CLOCK, BREATHER @ 12 O'CLOCK
4*	3" - PAD A @ 6 O'CLOCK, START SWITCH @ 12 O'CLOCK, BREATHER @ 12 O'CLOCK
5*	3" - PAD A @ 6 O'CLOCK, START SWITCH @ 9 O'CLOCK, BREATHER @ 12 O'CLOCK
6	REMOTE (CUSTOMER MOUNTED)

* 9 / 3 O'Clock from the chosen mounting pad.

9

Order Code	Solenoid Valve Voltages
0	NONE
1	12 V (Spade Terminals)
2	115 V (1/2" Conduit w/Dual Wire Leads)

10

Order Code	Cord Sets (w/115 VAC contactor start switch)
0	NONE
A	8 FT
B	12 FT

11

Order Code	Handset Controller Options (10 FT)
0	None
1	POWER-UP/POWER-DOWN (MOTOR ONLY)
2	POWER-UP/POWER-DOWN (MOTOR AND 2POS/2WAY SOLENOID VALVE)
3	POWER-UP/POWER-DOWN (MOTOR AND 2POS/3WAY SOLENOID VALVE)

12

Order Code	Fittings Options
0	None
1	TWO - 7/16-20 STRAIGHT
2	TWO - 7/16-20 90 DEGREE (facing reservoir)

13

Order Code	Reservoir Options (breather hole located at closed end of reservoir)
A	2 QT PLASTIC
B	3 QT PLASTIC
C	1 GAL PLASTIC *
D	1.5 GAL PLASTIC *
E	2.0 GAL PLASTIC *
F	1 GAL STEEL
G	1.5 GAL STEEL
H	2.0 GAL STEEL

* Contact factory for availability.

Only Concentric offers this extensive range of products worldwide.

POWER PACKS



PUMP/MOTORS (DC/AC)

DC Voltage Range

12 to 72 VDC

AC Horsepower Range

1/2 to 3 HP

Pump Displacements

0.04 – 1.71 cu. In. (0.65 to 28 cc)

Maximum Pressure

4,000 psi (276 bar)



HB800 POWER PACKS

Voltage Range

12 to 24 VDC

Pump Displacements

0.037 to 0.092 cu. In. (0.60 to 1.5 cc)

Reservoirs

0.13 to 1 gal. (.5 to 3.8 ltr.) plastic

Maximum Pressure

2,610 psi (180 bar)



HE1000 SERIES POWER PACKS

Voltage Range

12 to 24 VDC

Pump Displacements

0.015 to 0.122 cu. In. (0.24 to 2 cc)

Maximum Pressure

3,336 psi (230 bar)

Reservoirs

0.13 to 1.0 gal. (0.5 to 3.8 ltr.) plastic



HE2000 SERIES POWER PACKS

Voltage Range

12 to 24 VDC, 115 to 230 VAC

Pump Displacements

0.049 to 0.388 cu. In. (0.80 to 6.36 cc)

Maximum Pressure

3,336 psi (230 bar)

Reservoirs

0.95 qt. to 3.96 gal. (0.9 to 15 ltr.) steel,
0.8 to 1.7 qt. (0.76 to 1.6 ltr.) plastic



HE "BOX" POWER PACKS

Voltage Range

12 to 24 VDC

Pump Displacements

0.049 to 0.388 cu. In. (0.80 to 6.36 cc)

Maximum Pressure

3,336 psi (230 bar)

Reservoirs

3 qt. to 5.0 gal. (2.84 to 19 ltr.) steel

HE-Q (QUIET) POWER PACKS

Voltage Range

24 VDC

WQ300 Pump Displacements

0.073 to 0.347 cu. In. (1.2 to 5.7 cc)

Noise

42dB(A)



BIROTATIONAL POWER PACKS

Voltage Range

12 to 24 VDC, 115 to 230 VAC

Pump Displacements

0.049 to 0.129 cu. In. (0.80 to 2.11 cc)

Reservoirs

2 to 2.96 qt. (1.9 to 2.8 ltr.) plastic,
1 to 2 gal. (3.8 to 7.6 ltr.) steel



AC POWER PACKS GC-9500 SERIES

Displacements

0.065 to 1.394 cu. In. (1.06 to 22.85 cc)

Maximum Pressure

3,000 psi (207 bar)

Maximum Speed

3,600 rpm

Reservoirs

5 to 20 gal. (19 to 76 ltr.) steel

Call us for more information

For application assistance or detailed literature on any product line, call us toll-free: **1-800-572-7867.**

Visit our web site: <http://www.concentricAB.com>

E-mail us: info.hydraulics.us@concentricAB.com



PRODUCT RANGE
HE Powerpacks

12/24/48 VDC 0.3 – 4.5 kW and
0.75 – 3 kW AC modular power packs

HE Box Powerpacks

12/24/48 VDC modular powerpacks
in weatherproof boxes

Pressure Switches

5 - 350 bar, connecting/disconnecting

W100 Hydraulic pumps

0,5 - 2,0 cc 227 bar

W300 Hydraulic pumps

0,8 – 5,7 cc 230 bar

W600 Hydraulic pumps / motors

3 – 12 cc 276 bar

W900 Hydraulic pumps / motors

5 – 31 cc/section 276 bar

Calma The new quiet pumps

6,2 - 23,7 cc/section 250 bar

WQ900 The quiet pumps

5 - 23 cc/section 230 bar

WP900X Hydraulic pumps

16 - 31 cc/section 276 bar

W1500 Hydraulic pumps / motors

19 - 50 cc/section 276 bar

F12 FERRA Heavy duty pumps

16 - 41 cc/section 276 bar

F15 FERRA Heavy duty pumps

19 - 50 cc/section 276 bar

F20/F30 (LS) Hydraulic pumps / motors

23 – 161 cc/section 276 bar

GPA Internal Gear pumps

1,7 – 63 cc/section 100 bar

GC Hydraulic pumps / motors

1,06 – 11,65 cc/section 276 bar

D Hydraulic pumps

3,8 – 22,9 cc/section 207 bar

H Hydraulic pumps

9,8 – 39,4 cc/section 207 bar

II-Stage Hydraulic pumps

4,2 – 22,8 cc/section 276 bar

Rotary Flow Dividers

3,8 – 13,3 cc/section 300 bar

Transmission pumps

www.concentricAB.com


Concentric Rockford Corp.

2222 15th Street
ROCKFORD, IL 61104
USA

Tel: +1-815 398 4400

Fax: +1-815 398 5977

E-mail: info.hydraulics.us@concentricAB.com

Concentric Hof GmbH

Postfach 1507
D-95014 HOF
Germany

Tel: +49-9281 895-0

Fax: +49-9281 87133

E-mail: info.hydraulics.eu@concentricAB.com

Concentric Skanes AB

Box 95
SE-280 40 SK. FAGERHULT
Sweden

Tel: +46-433 32400

Fax: +46-433 30546

E-mail: info.hydraulics.eu@concentricAB.com

Concentric Suzhou Co. Ltd.

47 Dongjing Industrial Park
9 Dong Fu Lu
SIP, Suzhou

Jiangsu

China 215123

Tel +86 512 8717 5100

Fax +86 512 8717 5101

info.chsh@concentricAB.com



Concentric is an innovator in flow control and fluid power, supplying proprietary systems and components for trucks, buses and industrial vehicles, worldwide. With 1,156 employees and yearly sales exceeding 1,977 million Swedish Kronor, Concentric AB is listed on the Stockholm Stock Exchange (www.concentricAB.com).

Concentric will not accept responsibility for any catalog errors and reserves the right to modify its products without prior notice. This also applies to products already ordered, provided that such modifications can be made without affecting technical specifications. All trademarks in this material are properties of their respective owners.